

# USS

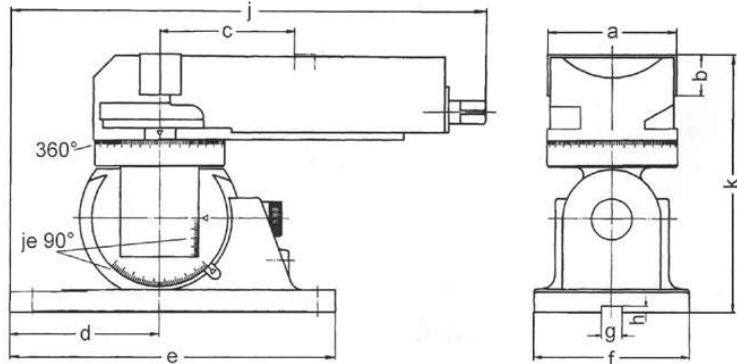
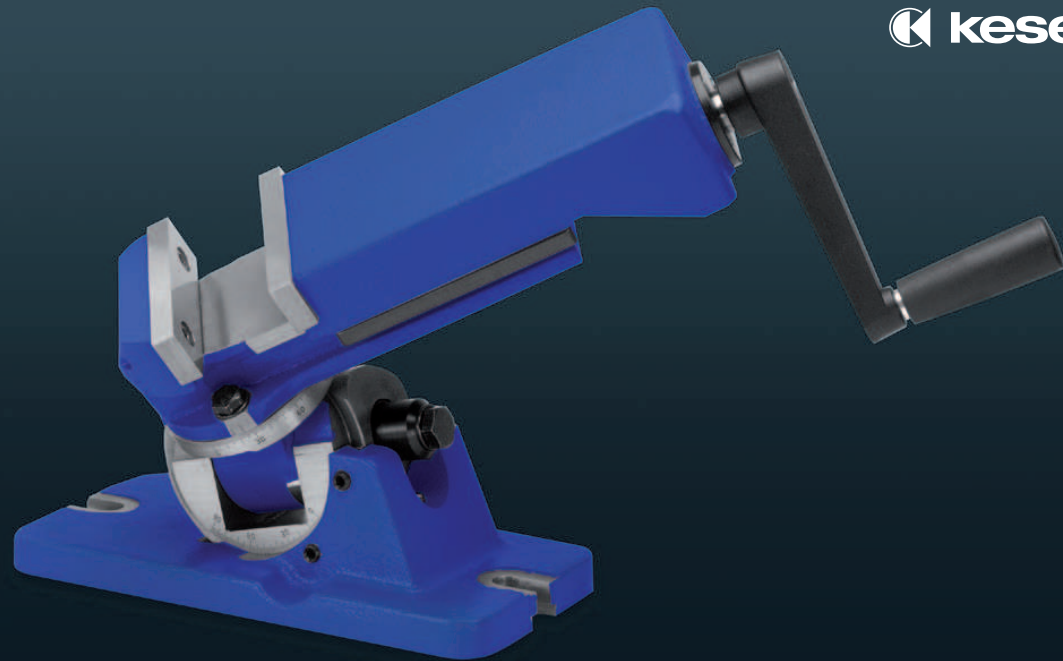
## Universal pivoting vise

**Mechanical single vise for light machining and tool grinding.  
Universal rotation and pivoting in all axial directions.**

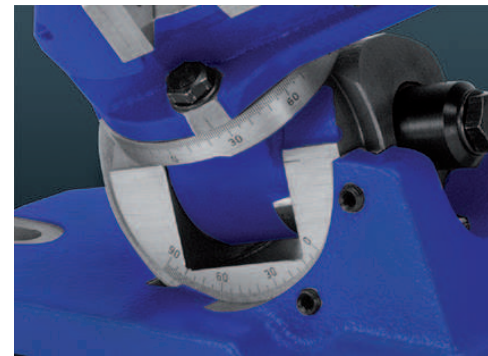
- > This vise is particularly well suited for grinding work on grinding machine tools and for light milling and drilling works. Workpieces can be machined in a vise on various plans
- > Force transducer: Mechanical without high pressure, manually actuated with manual crank
- > Characteristics: Pivoting on 3 planes! 1 x 360° and 2 x 90°
- > Design: All pivot centres lie on one plane, which contributes to stabilisation

**Scope of delivery:**

1 manual crank, 2 keys



Clamping force: max. 20 kN at approx. tightening torque 60 Nm



**Pivoting on 3 planes**

360° horizontal pivoting range  
90° resp. side and front face pivoting range with highly legible scale

Size a	Order no.	Jaws height b	Clamping range c	Base plate					
				d	e	f	g	h	k
80	04.20.000.000.3	25	90	112	235	116	20	6	163